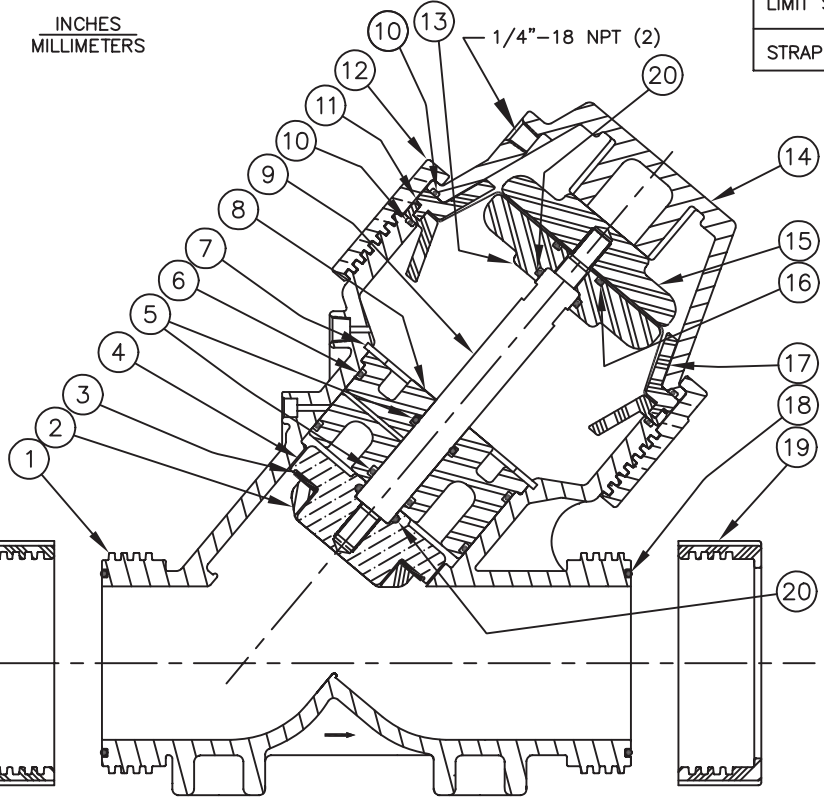


INCHES
MILLIMETERS

| REPAIR PARTS KITS | |
|--|--|
| DESCRIPTION | PART NO. |
| DIAPHRAGM & SEALS KIT CONSISTS OF ITEM NO'S 3,5,6,10,11,16,18 & 20 | 1070321 (537-RAE) E.P.D.M. INCLUDES DIAPHRAGM |
| | 1073462 (V537-100) |
| | 1070337 (537-RAVFB) FKM INCLUDES DIAPHRAGM |
| 1073462 (V537-100) | |
| INT. PARTS KIT CONSISTS OF ITEM NO'S 2,4,7,8,9,13,15,17 | 1070345 (K537-RF) |

| ASSEMBLY TOOLS | |
|----------------------------------|--------------------|
| DESCRIPTION | PART NO. |
| LIMIT STOP TOOL (TOOL NOT SHOWN) | 1013556 (V560-579) |
| STRAP WRENCH (TOOL NOT SHOWN) | 1073557 (V560-581) |

| NO. | DESCRIPTION | PART NO. | QTY. |
|-----|----------------------|------------------------------|------|
| 1 | BODY | 1073472 (V537-410K) | 1 |
| 2 | DISC PLATE | PVC 1073459 (V537-093) | 1 |
| | | NORYL 1073460 (V537-094) | |
| 3 | DISC | E.P.D.M. 1073463 (V537-110) | 1 |
| | | FKM 1073465 (V537-112) | |
| 4 | DISC HOLDER | NORYL 1073482 (V537-502) | 1 |
| 5 | O-RING | E.P.D.M. 1242719 (ORE-212TC) | 2 |
| | | FKM 1242395 (ORV-212TC) | |
| 6 | O-RING | E.P.D.M. 1071757 (ORE-240) | 2 |
| | | FKM 1071830 (ORV-240) | |
| 7 | RETAINING RING | 1073505 (V537-598) | 1 |
| 8 | SHAFT GUIDE | PVC 1073478 (V537-491) | 1 |
| | | NORYL 1073479 (V537-492) | |
| 9 | SHAFT | PVC 1073508 (V537-702) | 1 |
| | | NORYL 1073509 (V537-704) | |
| 10 | O-RING | BUNA 1071714 (ORB-259) | 2 |
| | | FKM 1071834 (ORV-259) | |
| 11 | DIAPHRAGM | BUNA 1073462 (V537-100) | 1 |
| 12 | CAP RETAINER NUT | 1073446 (V537-030K) | 1 |
| 13 | LWR DIA. PLATE | NORYL 1073450 (V537-046) | 1 |
| 14 | CAP | 1073445 (V537-020K) | 1 |
| 15 | UPR DIA. PLATE | NORYL 1073448 (V537-041) | 1 |
| 16 | O-RING | FKM 1071676 (ORV-024) | 1 |
| 17 | DIAPHRAGM SUPPORT | 1073491 (V537-551K) | 2 |
| 18 | O-RING | E.P.D.M. 1071756 (ORE-239) | 2 |
| | | FKM 1071829 (ORV-239) | |
| 19 | SOCKET RETAINING NUT | 1073458 (V537-080K) | 2 |
| 20 | O-RING | E.P.D.M. 1071745 (ORE-212) | 2 |
| | | FKM 1071816 (ORV-212) | |



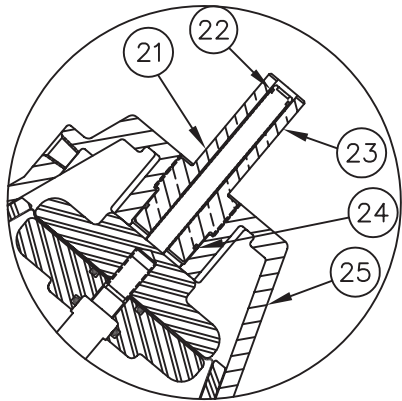
1070316 (K537-X200-14000)
NORMALLY OPEN (STANDARD)

NOTE:
CONNECTORS NOT FURNISHED WITH VALVE.
SEE DWG. NO. 1078165 FOR FEMALE SOCKET
WELD CONNECTORS.

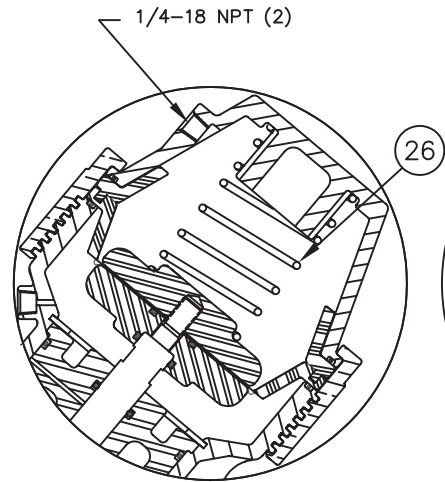
SEE REVERSE SIDE FOR CONFIGURATION OPTIONS

FORM NO. 1077691

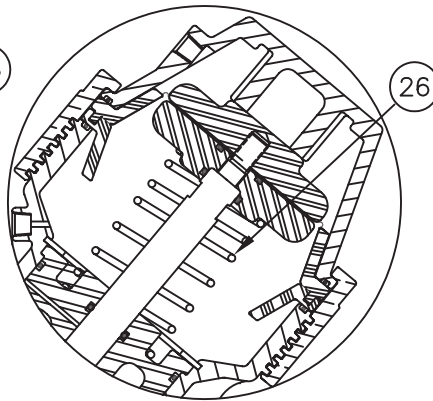
| | | | | | |
|--|----------------------|--|---------|-------------|---------|
| G | UPDATED O-RING P/N'S | 1635 | MSM | 24JAN06 | |
| REV | DESCRIPTION | ECO | DWN | DATE | APVD |
| | | 20580 Enterprise Avenue Brookfield, WI 53045 888.784.9065 www.Pentairwatertreatment.com | | | |
| SERIES 537 DIAPHRAGM VALVE STANDARD MODEL | | | | | |
| DRAWN | JWB | DATE | 21JUN01 | DRAWING NO. | 1084012 |



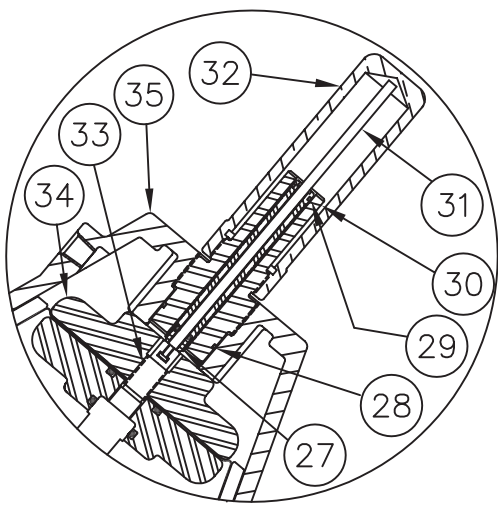
1070317 (K537-X210-14000)
LIMIT STOP



1071391 (K537-X202-14000)
SPRING ASSIST CLOSED



1071390 (K537-X201-14000)
SPRING ASSIST OPEN



K537-X221-14000
**LIMIT STOP/
POSITION INDICATOR**

| REPAIR PARTS KITS | |
|---|------------------|
| DESCRIPTION | PART NO. |
| INT. PARTS KIT (LIMIT STOP) CONSISTS OF ITEM NO'S 21 THRU 24 | 1075237 (537-LS) |
| INT. PARTS KIT (SPRING ASSIST CLOSED) CONSISTS OF ITEM NO. 26 | 1075239 (537-S) |
| INT. PARTS KIT (SPRING ASSIST OPEN) CONSISTS OF ITEM NO. 26 | 1075239 (537-S) |
| INT. PARTS KIT (LIMIT STOP/POS INDICATOR) CONSISTS OF ITEM NO'S 27 THRU 34 | 1081805 (537-PI) |

| CONVERSION KITS | |
|---|--------------------|
| DESCRIPTION | PART NO. |
| CONVERSION KIT (LIMIT STOP) CONSISTS OF ITEM NO'S 21 THRU 25 | 1071377 (K537-LSC) |
| CONVERSION KIT (SPRING ASSIST CLOSED) CONSISTS OF ITEM NO. 26 | 1075239 (537-S) |
| CONVERSION KIT (SPRING ASSIST OPEN) CONSISTS OF ITEM NO. 26 | 1075239 (537-S) |
| CONVERSION KIT (POSITION INDICATOR) CONSISTS OF ITEM NO'S 27 THRU 35 | 1071378 (K537-PIC) |

| NO. | DESCRIPTION | PART NO. | QTY. |
|--|-----------------|--------------------------|------|
| LIMIT STOP MODEL | | | |
| 21 | ADJUSTING SCREW | 1073498 (V537-576) | 1 |
| 22 | O-RING | BUNA N 1071668 (ORB-012) | 1 |
| | | FKM 1071787 (ORV-012) | |
| 23 | LS GUIDE | PVC 1073494 (V537-571) | 1 |
| | | CPVC 1073496 (V537-573) | |
| 24 | O-RING | BUNA N 1071676 (ORB-024) | 1 |
| | | FKM 1071791 (ORV-024) | |
| 25 | CAP | 1073473 (V537-420K) | 1 |
| SPRING ASSIST CLOSED MODEL & SPRING ASSIST OPEN MODEL | | | |
| 26 | SPRING | 1073467 (V537-170) | 1 |
| LIMIT STOP/ POSITION INDICATOR MODEL | | | |
| 27 | SCREW ASSY | 1073506 (V537-700) | 1 |
| 28 | O-RING | BUNA N 1071676 (ORB-024) | 1 |
| | | FKM 1071791 (ORV-024) | |
| 29 | O-RING | BUNA N 1071668 (ORB-012) | 1 |
| | | FKM 1071787 (ORV-012) | |
| 30 | LS/PI GUIDE | PVC 1073493 (V537-570) | 1 |
| | | CPVC 1073495 (V537-572) | |
| 31 | INDICATOR SHAFT | 1073492 (V537-555) | 1 |
| 32 | PI CLEAR CAP | 1073489 (V537-550) | 1 |
| 33 | SHAFT | PVC 1073507 (V537-701) | 1 |
| | | NORYL 1077454 (V537-706) | |
| 34 | UPR DIA. PLATE | 1073475 (V537-443) | 1 |
| 35 | CAP | 1073473 (V537-420K) | 1 |

SEE REVERSE SIDE FOR
STANDARD NORMALLY OPEN MODEL

FORM NO. 1077691

| | | | | | |
|--|----------------------|--|---------|-------------|---------|
| G | UPDATED O-RING P/N'S | 1635 | MSM | 24JAN06 | |
| REV | DESCRIPTION | ECO | DWN | DATE | APVD |
| | | 20580 Enterprise Avenue Brookfield, WI 53045 888.784.9065 www.Pentairwatertreatment.com | | | |
| SERIES 537 DIAPHRAGM VALVE STANDARD MODEL | | | | | |
| DRAWN | JWB | DATE | 21JUN01 | DRAWING NO. | 1084012 |